



Soundproofing Door - Sound Retardant Doors

Sound control can be an important element in some buildings or certain rooms within a building. To meet sound transmission specifications, All Noise Control Door Systems offers a wide range of acoustic doors. Our Acoustic Doors provide many options to choose from including:

- Sound Transmission Class (STC) ratings from 21db through 47db.
- All doors are 1-3/4" thick.
- Complete factory machining is available to meet your hardware requirements.
- Factory finishing with All Noise Control Door Systems' Enviroclad UV® 17 Designer colors, custom color stain matching, primed or opaque matching available.
- All fire rated doors are available with ITS-WH or UL neutral pressure labels or UL positive pressure labels.
- Add the dimension of lite to your door using factory glazing with our Expressions del Sol® glass collection.

STC 41 Acoustic Door, per ASTM E90-90

Sound Transmission Loss In dB At Frequency / Hertz																	
10	12	16	20	25	31	40	50	63	80	100	125	160	200	250	315	400	500
0	5	0	0	0	5	0	0	0	0	0	0	0	0	0	0	0	0
30	27	31	30	31	36	40	41	41	41	40	41	43	43	42	43	47	49

STC 44 Acoustic Door, per ASTM E90-90

Sound Transmission Loss In dB At Frequency / Hertz																	
10	12	16	20	25	31	40	50	63	80	100	125	160	200	250	315	400	500
0	5	0	0	0	5	0	0	0	0	0	0	0	0	0	0	0	0
28	29	32	30	31	37	42	45	46	44	42	42	45	46	48	49	51	52

STC 46 Acoustic Door, per ASTM E90-90

Sound Transmission Loss In dB At Frequency / Hertz																	
10	12	16	20	25	31	40	50	63	80	100	125	160	200	250	315	400	500
0	5	0	0	0	5	0	0	0	0	0	0	0	0	0	0	0	0

25	25	30	33	36	41	40	42	47	47	48	49	50	50	50	51	52	55
----	----	----	----	----	----	----	----	----	----	----	----	----	----	----	----	----	----

STC 47 Acoustic Door, per ASTM E90-90

Sound Transmission Loss In dB At Frequency / Hertz																		
10	12	16	20	25	31	40	50	63	80	100	125	160	200	250	315	400	500	
0	5	0	0	0	5	0	0	0	0	0	0	0	0	0	0	0	0	
27	27	33	37	38	38	40	45	48	48	50	51	51	50	49	50	52	55	

For more information about our expanding acoustic door offering, please contact All Noise control.





Sound control can be an important element in some buildings or certain rooms within a building. To meet sound transmission specifications, All Noise Control Signature Series offers a wide range of acoustic doors that feature both maximum sound reduction efficiency and the attractiveness of wood face veneer or decorative laminate.

They are recommended for use in all institutional and architectural applications where sound control is of utmost importance.

Installation Requirements - To meet part 1 of UBC 7-2 (97):

Category "A" Doors - No additional edge sealing system required to meet part 1 of UBC 7-2 (97).

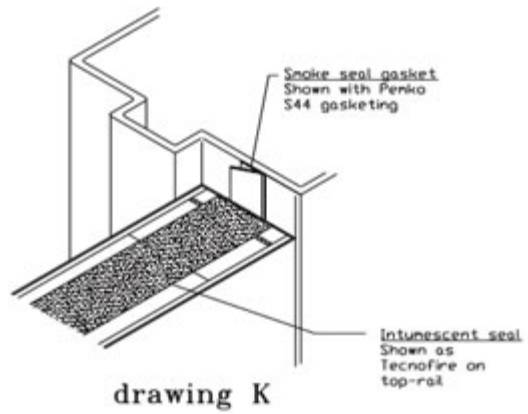
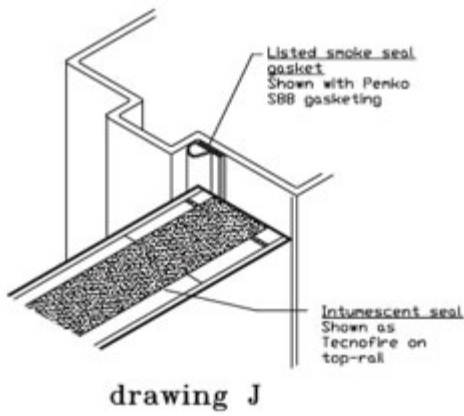
- This category includes 45, 60 & 90-minute doors that have a 1/16" - 1/8" single ply of intumescent material that is located approximately 1/4" from each of the finished stile edges. No additional intumescent is required.
-

Installation Requirements: Single Door - To meet part 2 of UBC 7-2 (97):

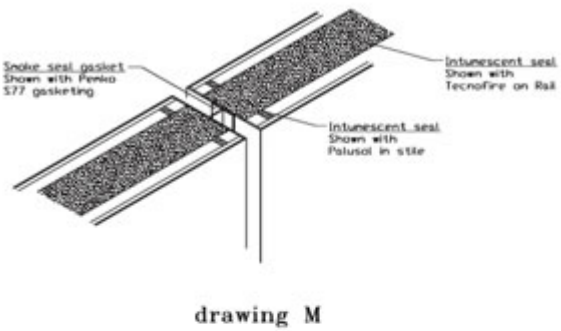
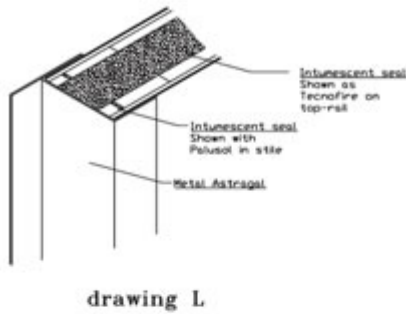
- **All door applications (Category "A" Doors):** Install "Listed" smoke seal gasketing on both door jambs and header (see drawings J and K). For door and transom assemblies with a transom bar, also install the "Listed" smoke seal gasketing on all edges of the frame around the transom.
-

Installation Requirements: Pairs and Door and Transom Doors - To meet part 1 & 2 of UBC 7-2 (97):

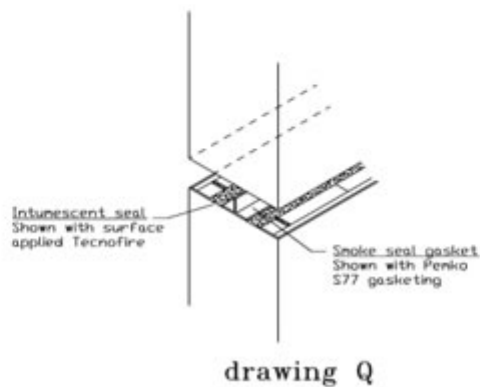
- **Pair with metal edge and astragal set:** Install the metal edge and astragal on the doors. A Category "A" Door will not require any additional intumescent or smoke seal gasketing at the meeting edges (see drawing L).
-
- **Pair without metal edges:** The meeting edge intumescent is installed under Label Service. Apply a strip of "Listed" smoke seal gasketing on one leaf of the pair at the meeting edge (see drawing M).
- **Door and transom assemblies without a transom bar:** The meeting rail intumescent is installed under Label Service. Where meeting rail intumescent includes a smoke seal, no additional smoke seal gasketing is required at the meeting rails (see drawing P). Where meeting rail intumescent does not include a smoke seal, additional "Listed" smoke seal gasketing is also required at the meeting rails (see drawing Q).



PAIR



DOOR AND TRANSOM



Drawings show example placements of gasketing and sealing systems